

SMP 686WR

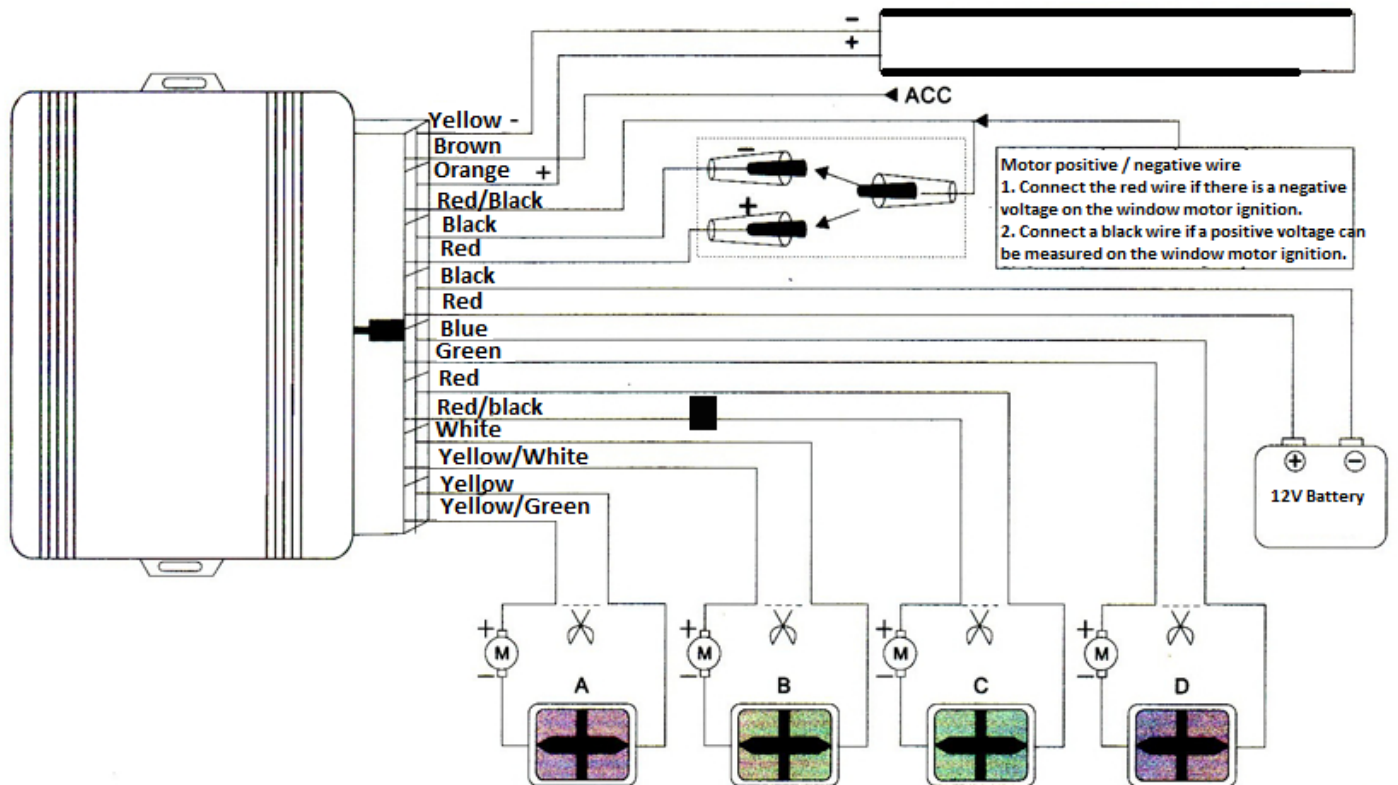
Window module for controlling 2-4 windows

- Close the windows when closing the central locking system or activating the alarm
- You can control two or four windows simultaneously or separately
- Operating voltage: 12V DC +/- 2V
- Control system is negative ground
- Current consumption: 1mA
- Maximum current: 15A

Qualifications:

FC, CE, E4, DAR, CCC, TÜV, ISO 9001: 2000

SMP 686 Window module connection diagram



The warranty is conditional on installation by a specialist garage.

Importer;

S.M.Power Kft

2310 Szigetszentmiklós, Csepeli út 15

www.smpower.eu